

High Power actuators – series HP

- max. load up to 70,000 N
- max. force generation 50,000 N
- resonance frequency up to 60 kHz
- resolution in the range of nm and sub nm
- operating temperature: -60 °C thru +120 °C

applications:

- active vibration cancellation
- sensor testing
- positioning
- stabilization
- shock wave generation
- test and acceleration damping
- fuel junction



actuators of the series HP

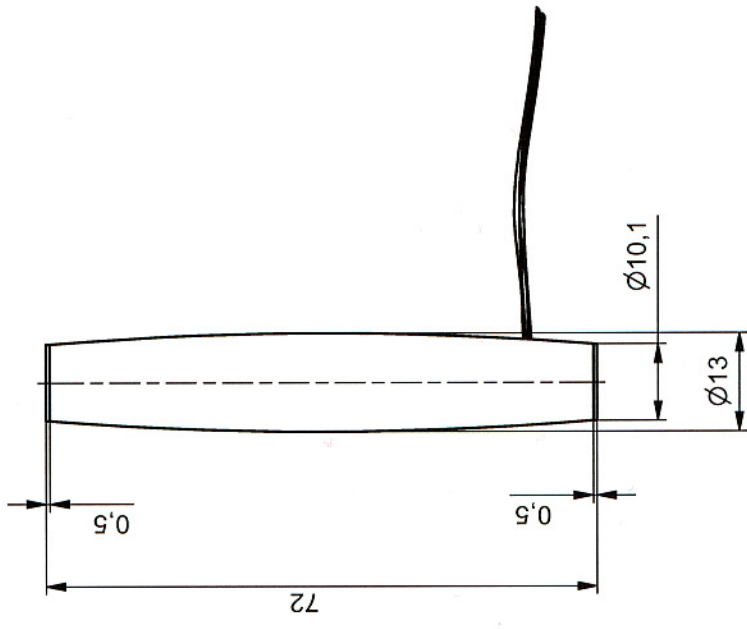
Technical Data:

series	max. motion up to (A/B)*	resonant frequency	stiffness	max. load	max. force generation	capacitance	diameter (d _o – d _i)	length
<i>without housing</i>	µm	kHz	N/µm	N	N	nF	mm	mm
HP 55/16/10	55/40	25	200	15.000	12.000	360	16	36
HP 105/13/5	105/80	10	30	5.000	4.000	880	13	72
HP 105/13/10	105/80	15	35	5.000	4.000	220	13	72
HP 105/20/10	105/80	15	90	15.000	12.000	720	20	72
<i>HP ring actuators without housing</i>								
HR 55/35/10	55/40	20	500	35.000	20.000	600	39 - 25	36
HR 130/35/10	130/100	10	160	35.000	20.000	1.800	35 - 25	90
<i>HP ring actuators with housing</i>								
HPA 105/45/10	105/80	21	450	70.000	50.000	3.300	45	96
HPA 105/35/10	105/80	23	200	35.000	25.000	1,7	35	96
HPA 25/35/10	25/17	35	900	35.000	25.000	350	35	42
HPA 260/35/10	260/200	4	90	35.000	25.000	3.700	35	194
HPA 260/45/10	260/200	4	150	70.000	50.000	6.500	45	194

* max. motion (A/B):

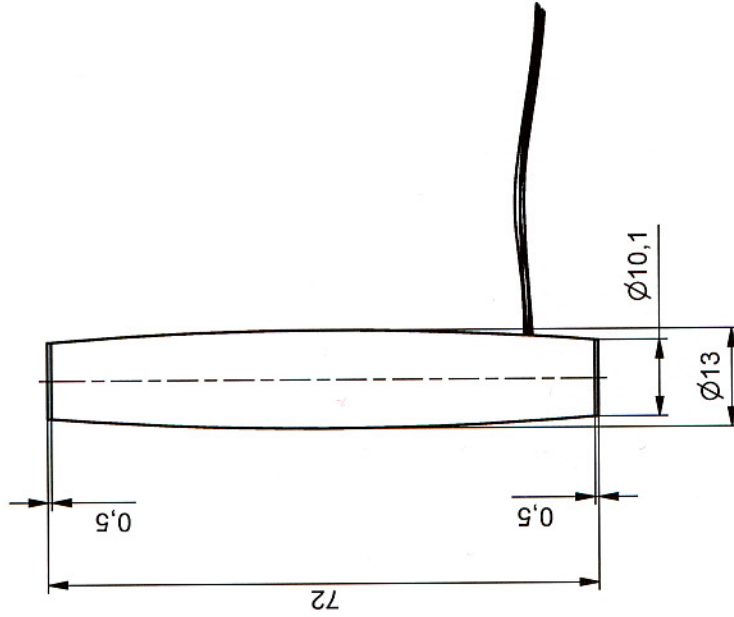
series HP xx/xx/5: A: -100 V ... +500 V; B: 0 V ... +500 V

series HP xx/xx/10: A: -200 V ... +1000 V; B: 0 V ... +1000 V



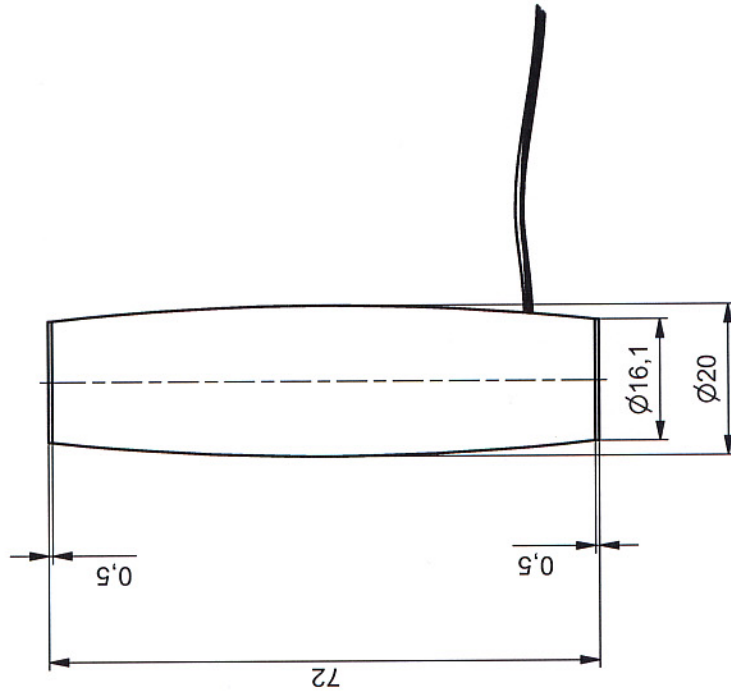
ORIGINAL

part.-no.	HP 105/13/5	part.-name	High Power Aktor - HP
file name	HP-105-13-5	OK: date/sign.	08. DEZ. 2008
		scale	2:1
			customers drawing piezosystem jena



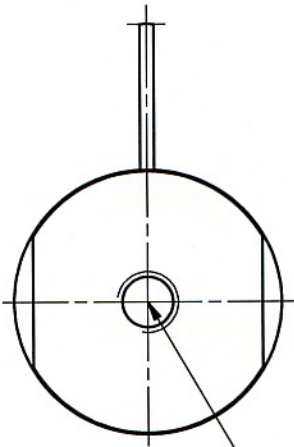
ORIGINAL

part.-no.	HP 105/13/10	part.-name	High Power Aktor - HP
file name	HP-105-13-10	OK: date/sign.	8. 8. 2008
	scale	customers drawing	
	1:1	piezosystem jena	

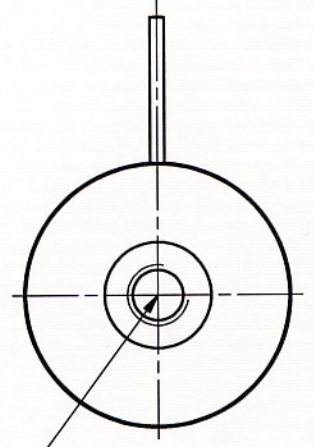
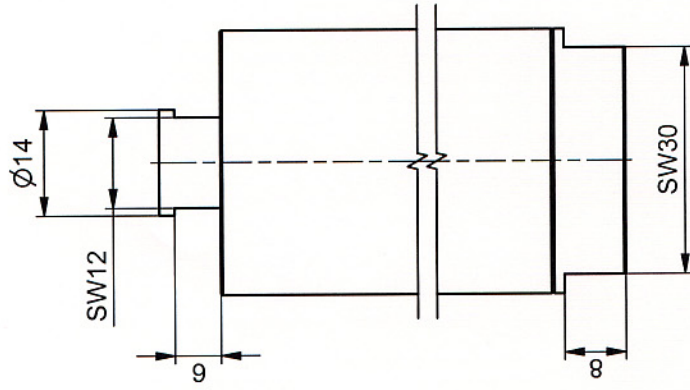
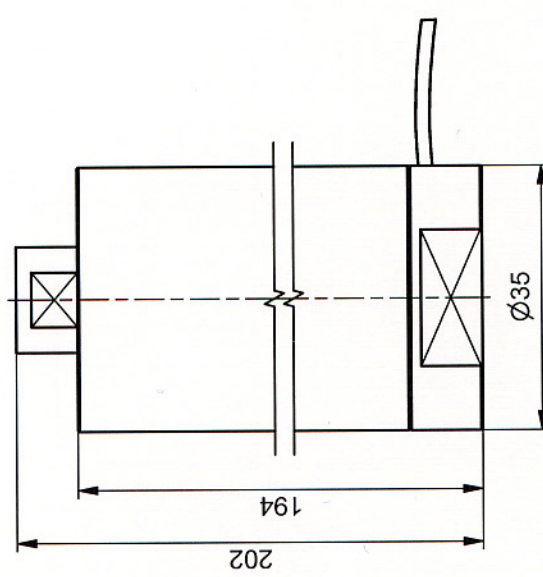


ORIGINAL

part.-no.	HP 105/20/10	part.-name	High Power Aktor - HP
file name	HP-105-20-10	OK: date/sign.	08.12.2008
		scale	1:1
			customer's drawing piezosystem jena



M8-6Hx8



M8-6Hx8

ORIGINAL

part.-no.	HPA 260/35/10	part.-name	High Power Aktor - HPA
file name	HPA-260-35-10	OK: date/sign.	08 DEC 2008
		scale	1:1
		customers drawing piezosystem jena	