



series PSH 8

150 V

- fast tilting platform for mirrors and other components up to 50mm diameter
- different tilting angles
- kHz-resonant frequency
- sub- μ rad resolution
- optional position feedback sensor
- can be combined with other translation systems



applications:

- laser tuning, laser beam stabilization
- scanning systems
- fine adjustments of optical mirrors
- optical stages
- cameras

technical data:

operating voltage:	-20 to +130 V
temperature range:	-20 to 80 °C
housing, tilting plate:	stainless steel
base plate:	stainless steel
connectors voltage / sensor:	LEMO
cable length:	1 m

The PSH tilting system series consist of three piezoelectric actuators. These actuators provide tilt to the top plate on two axes. These axes are perpendicular to each other. Their construction is temperature compensated, i.e. changes in environmental temperature do not affect the tilting angle.

The tilting mirror mounts are pre-loaded, thus they are extremely suitable for dynamic applications. One of their main parameters is a high resonant frequency.

mounting instructions:

Mirror mounts are pre-loaded. They can work under pulling and pushing forces. Because of their construction, they are very sensitive to lateral forces between the housing and the top plate.

During mounting, we recommend the use of our mounting clamp. This part protects the housing and the top plate while the mirror is installed.

options:

- integrated measurement system, e.g. strain gauges (accuracy typ. 0.4 to 0.6 %)
- vacuum version

multiaxis tip/tilting platform series PSH		unit	PSH 8
part. no.			K-108-00
number of active axis		-	2
max. tilt **		mrad	8
linear z-motion**		μ m	-
operating voltage		V	-20...130
capacitance per axis ($\pm 20\%$)***		nF	4500
resonant freq. (unloaded)**		Hz	1200
typ. scan freq ****		Hz	140
stiffness in z		N/ μ m	20
dimensions	length L	mm	25
	width B	mm	25
	height H	mm	61
mounting distance		-	-
holes spacing		mm	-
threads		mm	M2 x 2
connector voltage		-	LEMO 0S.302
multiaxis tip/tilting platform series PSH with feedback sensor		unit	PSH 8 SG
part. no.			K-108-01
max. tilt**	open loop	mrad	8
	closed loop	mrad	6.4
dimension	height H	mm	61
resolution*	open loop	μ rad	0.016
	closed loop	μ rad	0.16
non-linearity**		%	0.37
repeatability**		μ rad	3.2
connector	sensor	-	LEMO 0S.304

- * measured with E-240-100 amplifier
- ** typ. value measured by -20... 130V
- *** typ. value for small electrical field strength
- **** unloaded

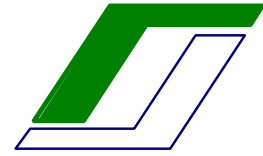
piezosystem jena GmbH

Prüssingstraße 27 • 07745 Jena • HRB Gera 2823 • VAT ID-Nr. DE 150531409

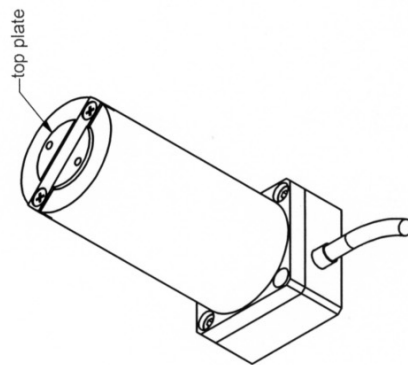
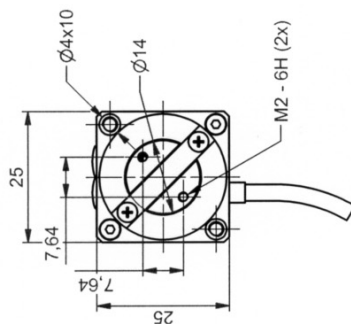
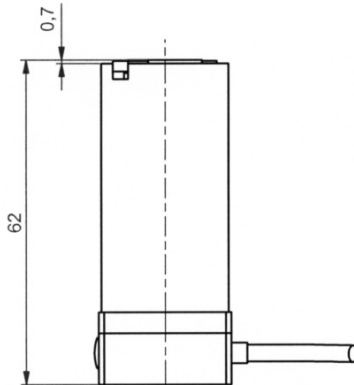
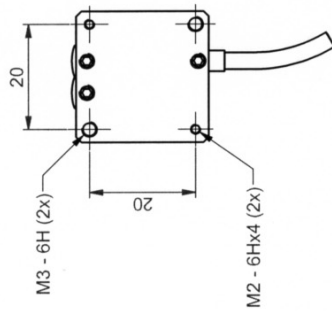
Konten: Commerzbank BLZ 820 400 00, KTO 258 420 9 • Deutsche Bank BLZ 820 700 24, KTO 531 571 8

Tel. + 49 (3641) 66 88 0 • Fax +49 (3641) 66 88 66 • e-Mail info@piezोजना.com •

<http://www.piezोजना.com/>



**COMPETENCE
IN PRECISION**



ORIGINAL

part-no.	K-108-00	part-name	PSH 8
file name	PK10800	OK: date/sign.	7.9. APP 2015
		scale	1:1
		customers drawing	piezosystem jena

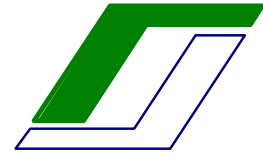
piezosystem jena GmbH

Prüssingstraße 27 • 07745 Jena • HRB Gera 2823 • VAT ID-Nr. DE 150531409

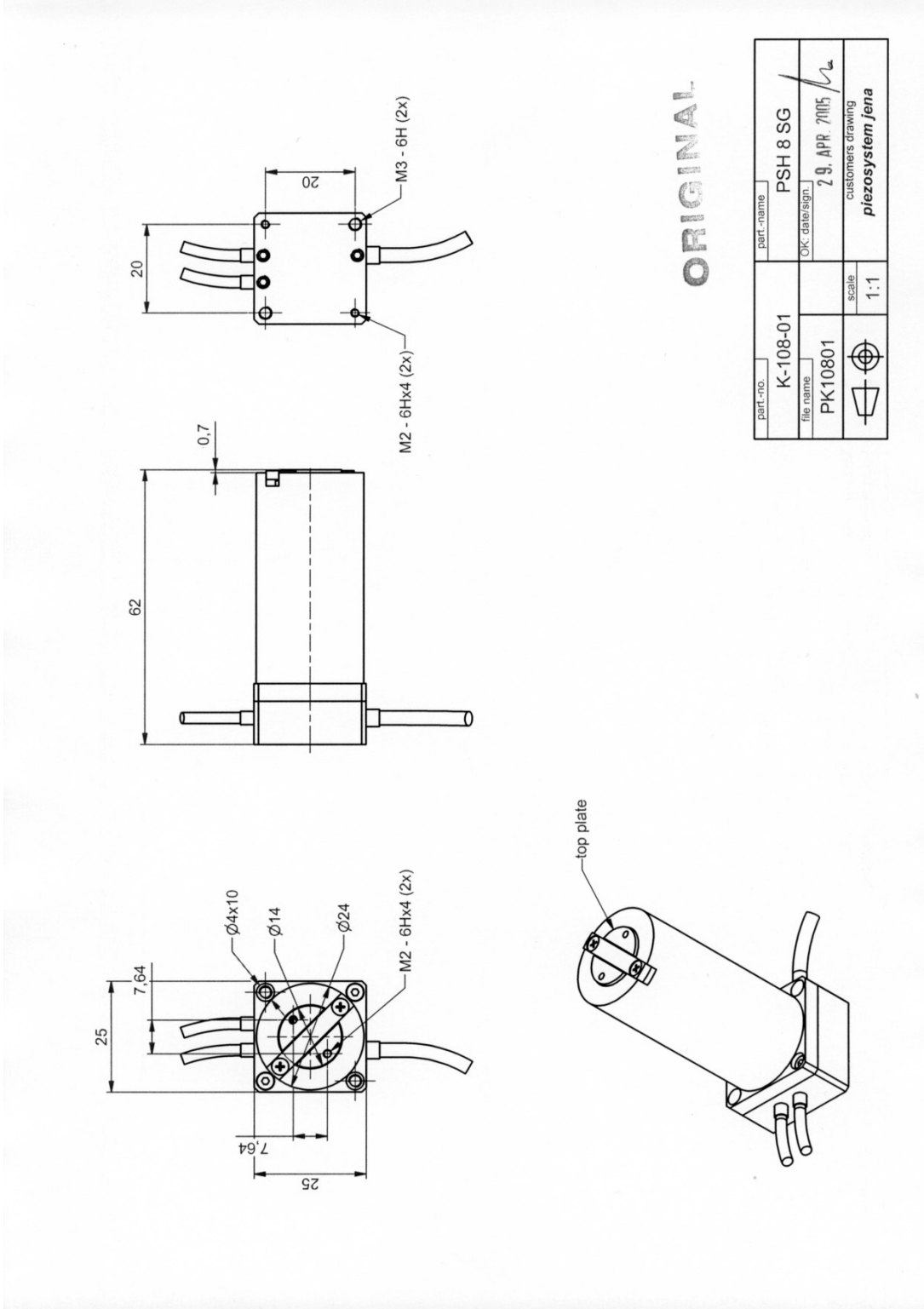
Konten: Commerzbank BLZ 820 400 00, KTO 258 420 9 • Deutsche Bank BLZ 820 700 24, KTO 531 571 8

Tel. + 49 (3641) 66 88 0 • Fax +49 (3641) 66 88 66 • e-Mail info@piezोजना.com •

<http://www.piezोजना.com/>



**COMPETENCE
IN PRECISION**



part-no.	K-108-01	part-name	PSH 8 SG
file name	PK10801	OK: date/sign.	29. APR. 2005
		scale	1:1
		customers drawing	piezosystem jena

piezosystem jena GmbH

Prüssingstraße 27 • 07745 Jena • HRB Gera 2823 • VAT ID-Nr. DE 150531409

Konten: Commerzbank BLZ 820 400 00, KTO 258 420 9 • Deutsche Bank BLZ 820 700 24, KTO 531 571 8

Tel. + 49 (3641) 66 88 0 • Fax +49 (3641) 66 88 66 • e-Mail info@piezोजना.com •

<http://www.piezोजना.com/>